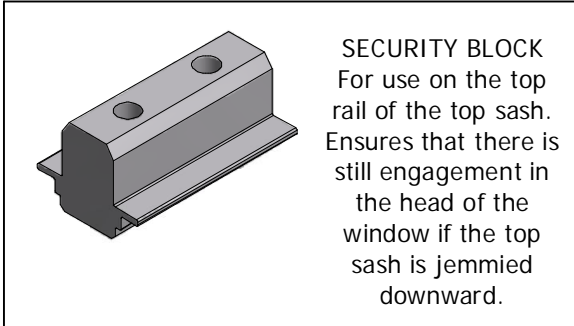
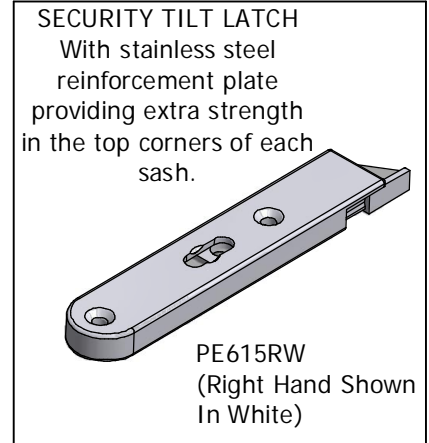


Telephone 024 7643 7900

## POSITIONS FOR PAS 24 HARDWARE (FORMERLY BS7950) ON UPVC WINDOWS

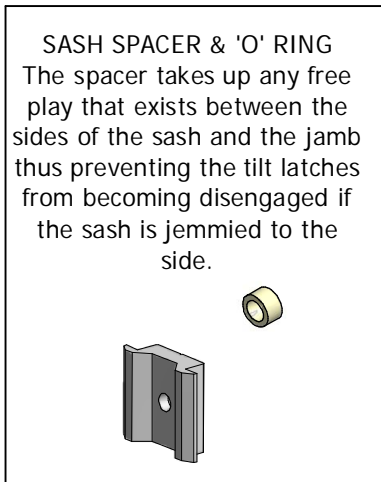


**SECURITY BLOCK**  
For use on the top rail of the top sash. Ensures that there is still engagement in the head of the window if the top sash is jemmied downward.

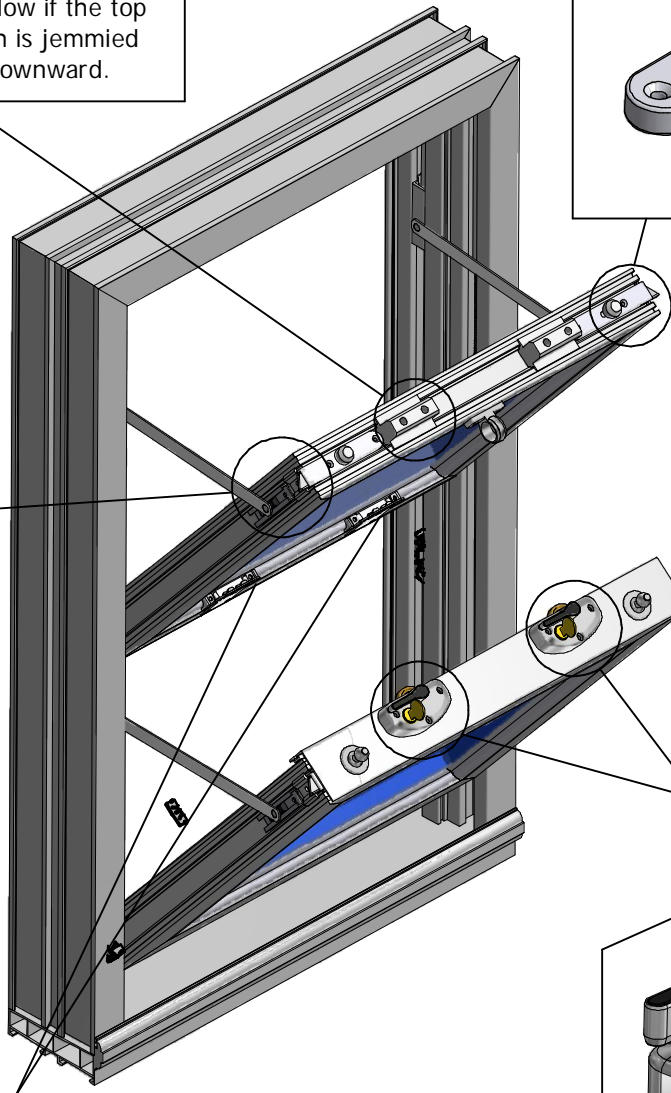


**SECURITY TILT LATCH**  
With stainless steel reinforcement plate providing extra strength in the top corners of each sash.

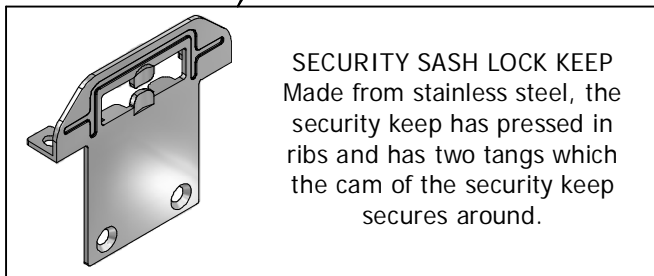
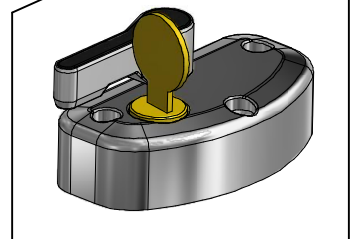
PE615RW  
(Right Hand Shown In White)



**SASH SPACER & 'O' RING**  
The spacer takes up any free play that exists between the sides of the sash and the jamb thus preventing the tilt latches from becoming disengaged if the sash is jemmied to the side.



**SECURITY SASH LOCK**  
With its unique patent pending design (App No 0505041.4), the security sash lock, along with the security keep, ensures that the two sashes remain locked together when under attack.



**SECURITY SASH LOCK KEEP**  
Made from stainless steel, the security keep has pressed in ribs and has two tangs which the cam of the security keep secures around.

All of the information shown on this data sheet was correct at the time of issue. All information however is subject to change and therefore it is advisable to check with Caldwell Hardware to ensure that you have the latest issue level.