

# CALDWELL

SOLUTIONS THAT SET NEW STANDARDS

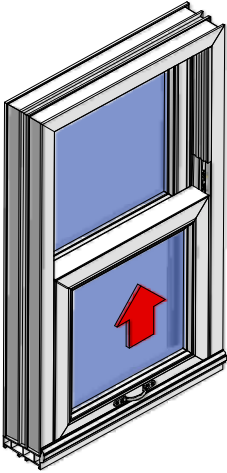
Telephone 024 7643 7900

## EGRESS USER INFORMATION

### TO OPEN FOR FIRE ESCAPE

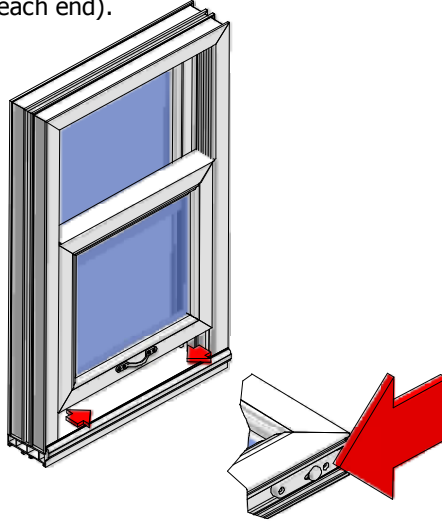
#### STEP 1

Lift the sash so it hits the travel stops (this should only allow an 80mm opening).



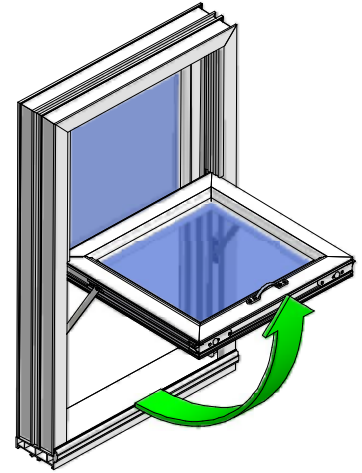
#### STEP 2

Slide the knob of the spring loaded tilt latches inwards and hold (located on the underside of the lower sash at each end).



#### STEP 3

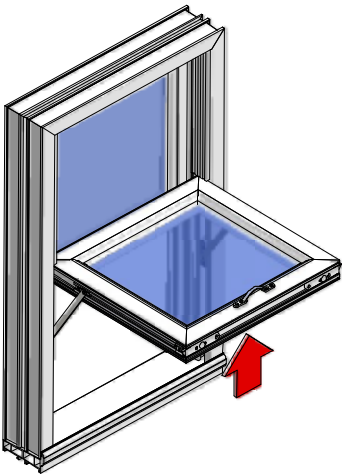
Pull the sash upwards to 90° (handle can be held if supplied). Ensure that the sash is fully supported until it locks out at this position.



### TO RESET THE FIRE ESCAPE FUNCTION

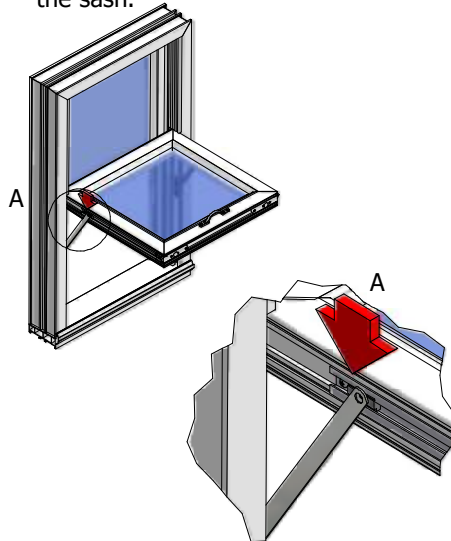
#### STEP 1

Support the sash underneath. Do not let go at any point until the sash is in its vertical position. If the sash has a handle at the bottom, it is advised to use it.



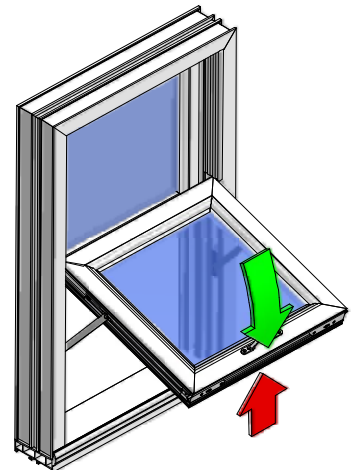
#### STEP 2

At the same time as supporting the sash, release the sash slides from the locked position (joggle the grey plastic part downwards). Ensure both grey slides are free to move downwards before closing the sash.



#### STEP 3

Slowly tilt the sash back to its vertical position (again, ensure it is supported while being tilted downwards). Ensure that the tilt latches are fully engaged in the window frame. Your window is now ready for normal use again.



**NOTE:** THE TILTING PROCEDURE SHOULD ONLY BE USED FOR FIRE ESCAPE PURPOSES AND NOT FOR EVERYDAY USE (I.E FOR INCREASING VENTILATION).

All of the information shown on this data sheet was correct at the time of issue. All information however is subject to change and therefore it is advisable to check with Caldwell Hardware to ensure that you have the latest issue level.