

CALDWELL

SOLUTIONS THAT SET NEW STANDARDS

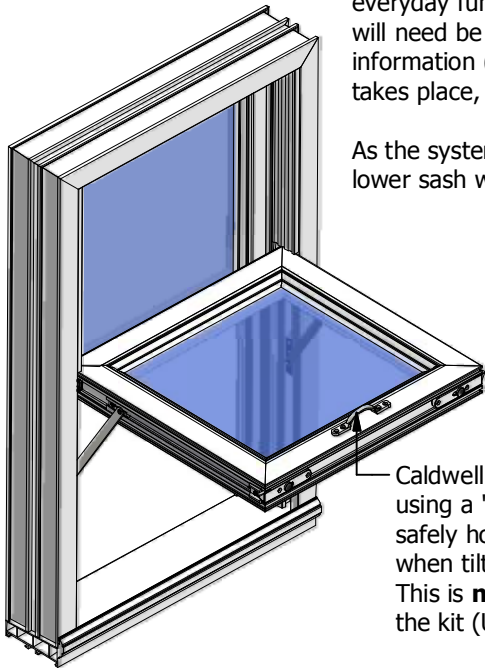
Telephone 024 7643 7900

EGRESS WINDOW KITS - OVERVIEW

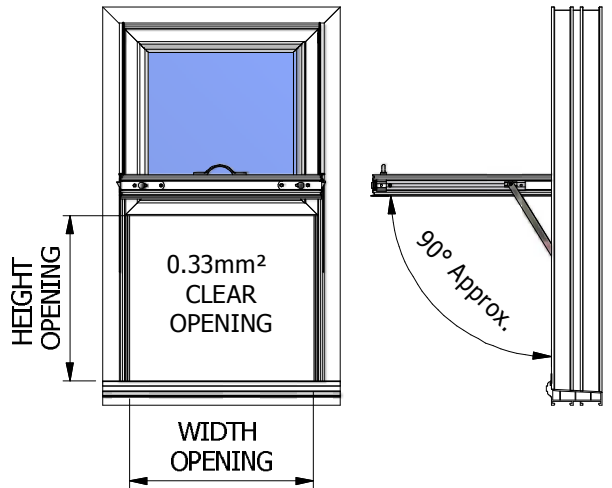
The Caldwell Egress Window solution allows window fabricators to produce smaller windows which will allow them to conform to the clear opening sizes as stated in "The Building Regulations 2000" document covering fire safety. Utilising this system, and fitting the egress components, the bottom sash can be lifted upward and inward so that it becomes clear of the bottom of the top sash leaving a clear opening for egress purposes.

NOTE: The tilting function is purely for fire escape purposes, so should not be used as an everyday function (i.e. it should not be used for increasing ventilation purposes). The arms will need to be reset when fully locked out, please refer to DATASHEET-00665 for more information (or see www.caldwell.co.uk/pdf.1817.pdf). Extra care should be taken if cleaning takes place, ensuring the sash is fully supported at all times.

As the system is a safety feature, it should be routinely tested by the user. The maximum lower sash weight to use this system is 20kg.



Caldwell recommend using a "D" handle to safely hold the sash when tilting inwards. This is **not** included in the kit (UK650 shown)



PART NUMBER	EGRESS KIT FOR WINDOW SYSTEM
KP2587	HALO
KP2588	SPECTUS
KP2589	PLASTMO
KP2589	EUROCELL
KP2590	REHAU HERITAGE MK 2
KP2591	VEKA MATRIX 2007
KP2592	TIMB-A-TILT
KP2593	DECEUNINCK
KP2594	COMAR
CONTACT CALDWELL TECHNICAL SERVICES	SAPA
CONTACT CALDWELL TECHNICAL SERVICES	LB PLASTICS

To achieve a 0.33mm² clear opening, it must be at least 450mm in one axis. Therefore the opening dimensions must be at least: 734mm wide / 450mm high

OR
450mm wide / 734mm high

NOTE: If horns are on the window, this should be included in the clear opening calculation

EACH KIT CONTAINS:

- 1 x RIGHT HAND EGRESS RESTRICTOR SLIDE
- 1 x LEFT HAND EGRESS RESTRICTOR SLIDE
- 2 x RESTRICTOR ARMS
- 2 x PIVOT SHOES
- 2 x PIVOT BARS
- 2 x LEFT HAND AND RIGHT HAND TILT LATCHES
- 2 x NYLON TILT LATCH BUTTONS
- 4 x SASH SPACER KITS
- 2 x NYLON RINGS

For fitting instructions, please see DATASHEET-00657 & DATASHEET-00666. For user information see DATASHEET-00665 (or see www.caldwell.co.uk/pdf.1817.pdf)

Note: Spring Balances sold separately. The relevant window system order form must be used to calculate (indicate requirement for Egress hardware on the form).

All of the information shown on this data sheet was correct at the time of issue. All information however is subject to change and therefore it is advisable to check with Caldwell Hardware to ensure that you have the latest issue level.