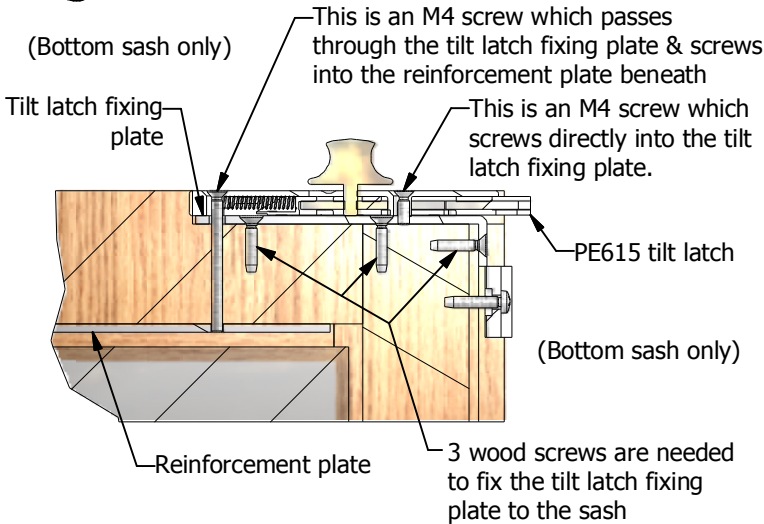


Telephone 024 7643 7900

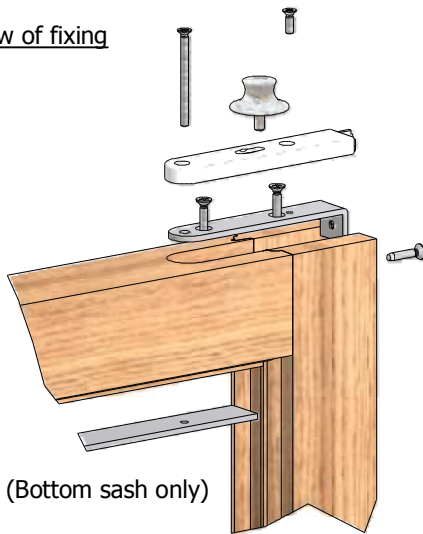
BS7950 HARDWARE FIXING DETAILS ON TIMBER WINDOWS

① Fixing of the tilt latch on the lower sash

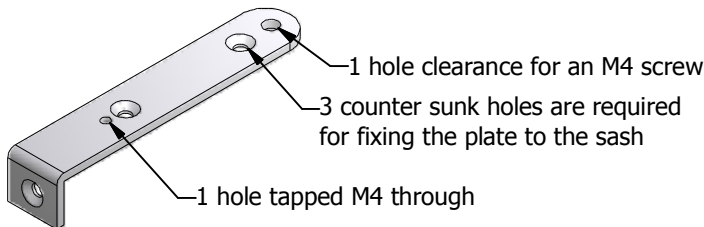


② Exploded view of fixing

Note: the fixing & reinforcement plates are not Caldwell products, They are produced by the window manufacturer. They are recommended to be a minimum of 3mm thick. Machining in the sash must be altered to suit the plates under the tilt latch & in the glass channel. These items are only required in the bottom sash.



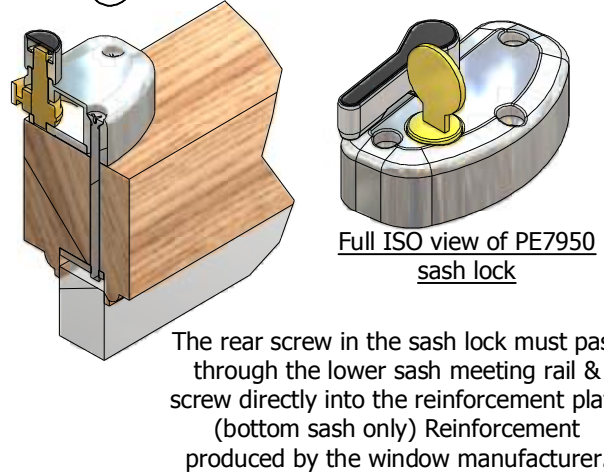
③ Tilt latch fixing plate. To be made for PE615 tilt latch (bottom sash only) Note: to be produced by the window manufacturer



PLEASE REFER TO DATA SHEET 00515 FOR HARDWARE LOCATION ON A WINDOW, ALSO DATA SHEET 00454 FOR PART NUMBERS. NOTE THAT THERE MUST BE A GAP BETWEEN 3.0mm & 3.5mm ON EACH SIDE OF THE SASH.

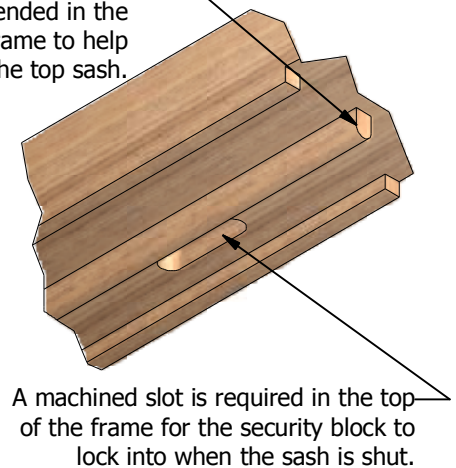
All of the information shown on this data sheet was correct at the time of issue. All information however is subject to change and therefore it is advisable to check with Caldwell Hardware to ensure that you have the latest issue level.

④ Fixing of sash lock PE7950



⑤ Head preparation

A timber tongue is recommended in the top of the frame to help support the top sash.



⑥ Upper sash top rail preparation

