

CALDWELL

SOLUTIONS THAT SET NEW STANDARDS

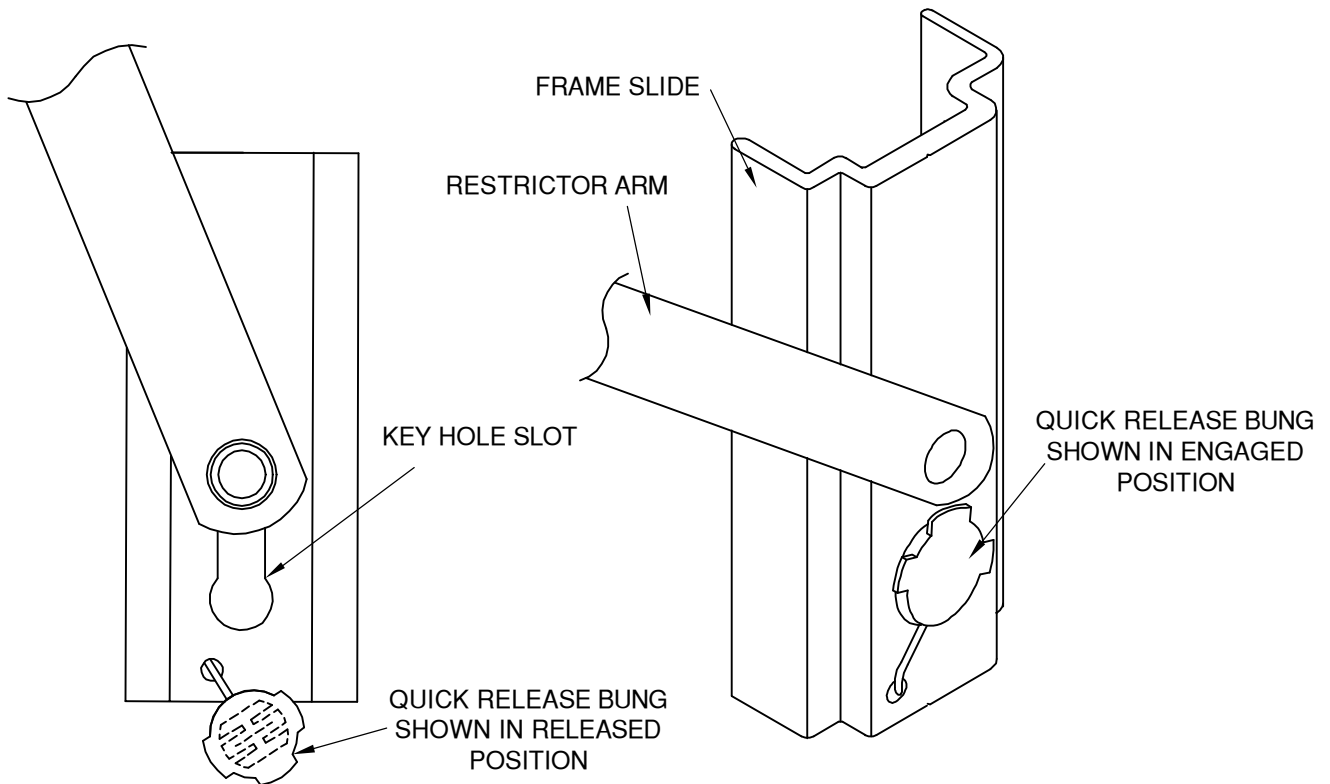
Telephone 024 76437900

Operation & Installation Of Quick Release Bar Restrictor

Installation Notes

1. When installing the bar restrictor the bung end of the frame slide must locate towards the cill.

2. Depending on the manufacturing method in use, the frame slide may need to be inserted before the frame is fabricated.



Operational Notes

Releasing the Restrictor Arm

1. Ensure the weight of the sash is fully supported.
2. Release the red quick release bung from the frame slide. Lever under the tabs with a flat head screwdriver if required. Once released the bung should be retained by the tab.
3. Push the restrictor arm downwards towards the large end of the key hole slot.
4. Pull the restrictor arm free of the frame slide.
5. Repeat the procedure on the other side of the sash.

Reengagement of the Restrictor Arm

1. Ensure the weight of the sash is fully supported.
2. Locate the restrictor arm into the key hole slot.
3. Push restrictor arm up towards the top of the slot.
4. Press the bung into the large end of the key hole slot.
5. Ensure the bung is fully pressed home and that it is firmly retained, failure to push fully home could result in the bung breaking off. If required the bung should be replaced with a new one, if in doubt consult Caldwell.
6. Repeat the procedure on the other side of the sash.

All of the information shown on this data sheet was correct at the time of issue. All information however is subject to change and therefore it is advisable to check with Caldwell Hardware to ensure that you have the latest issue level.