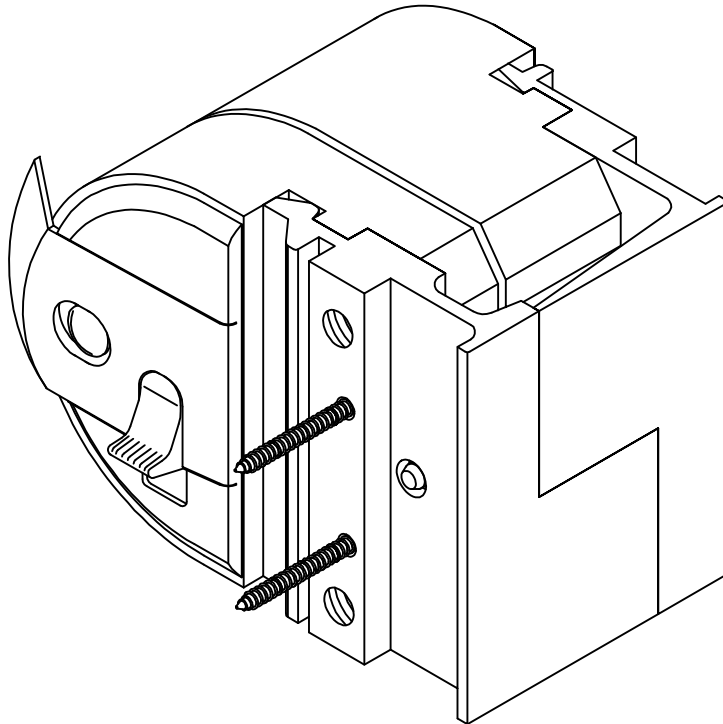


# CALDWELL

SOLUTIONS THAT SET NEW STANDARDS

Telephone 024 76437900  
**3000 Pivot Matrix**



NOTE: 3000 Pivot kit consists of a pair of pivots,  
Mounting plates & Screws.

Window System	3000 Pivot Kit Reference
Comar (50mm System)	3696CSFINISH*FINISH
Deceuninck (60mm System)	3691CSFINISH*FINISH
Profile 22 (60mm System)	3697CSFINISH*FINISH
Rehau (70mm System)	3493CSFINISH*FINISH
Schuco (60mm System)	3694CSFINISH*FINISH
Veka (60mm System)	3692CSFINISH*FINISH
WHS Halo (70mm System)	3498CSFINISH*FINISH

(FINISH\*FINISH - PIVOT BODY COLOUR\*END CAP COLOUR)  
For available finishes please contact Caldwell Hardware.

Also available is a 3000 Pivot vent end cap repair kit KP1000.

All of the information shown on this data sheet was correct at the time of issue.  
All information however is subject to change and therefore it is advisable to check  
with Caldwell Hardware to ensure that you have the latest issue level.