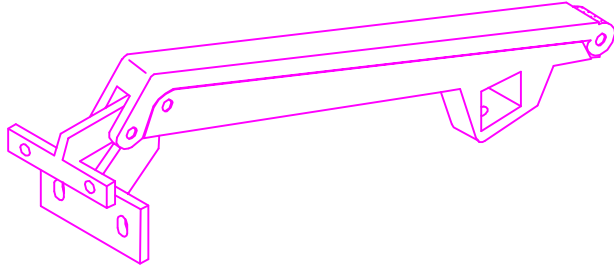


CALDWELL SPECIALIST HARDWARE		CASEMENT
EXTENDED FOLDING OPENER		



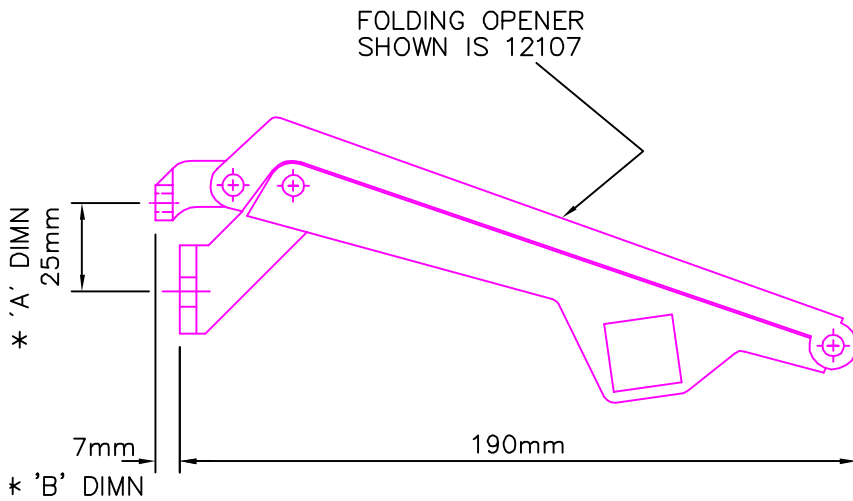
FOLDING OPENER

'Extended' opener a longer throw of 315mm, it is also longer in length, when in closed position. Therefore it protrudes further in to the building. It is highly recommended a tandem bar be used with this type of opener.

MATERIAL
Extruded Aluminium

COLOURS
The standard finishes available are:-
silver anodise AA15 - ANSAT
white powder coat - HIPCAWHITE

Other finishes are available on request subject to quantity.



* For other sizes refer to Quick Reference Matrix - DATASHT - 00075 for folding opener references.

All of the information shown on this data sheet was correct at the time of issue. All information however is subject to change and therefore it is advisable to check with Caldwell Hardware to ensure that you have the latest issue level.