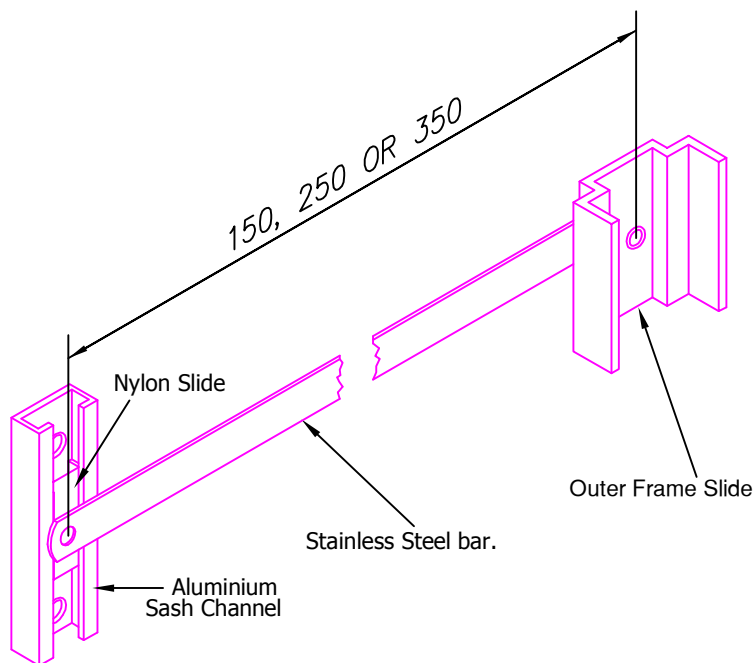


CALDWELL SPECIALIST HARDWARE

SLIDING SASH

TILT RESTRICTOR



BAR TILT RESTRICTOR

Designed to enhance the safe cleaning of tilt back sashes, on vertical sliding windows.

When fitted in pairs to both sashes, they will support a maximum sash weight of 35kg.

The in built bi-axial anti-jam device enables smooth sash reengagement.

APPLICATIONS

Sash heights of 350mm-450mm
Use RA150.

Sash heights of 451mm-650mm
Use RA250.

Sash heights of 651mm-1200mm
Use RA350.

MATERIAL

Outer Frame slide:-
Extruded aluminium to BS 1474.
Sash channel:-
Extruded aluminium to BS 1474.
Connecting bar:- Stainless steel
Slide:- Nylon

ALUMINIUM SASH CHANNEL	OUTER FRAME SLIDE	RESTRICTOR CODE REFERENCE
		RA150AN RA250AN RA350AN
		RA150GP RA250GP RA350GP
		RA150JC / RA150RJ RA250JC / RA250RJ RA350JC / RA350RJ
		RA150LB RA250LB RA350LB
		RA150PP RA250PP RA350PP
		RA150RU RA250RU RA350RU
		RA150TT RA250TT RA350TT
		RA150VK RA250VK RA350VK
		RA150WH RA250WH RA350WH

All of the information shown on this data sheet was correct at the time of issue. All information however is subject to change and therefore it is advisable to check with Caldwell Hardware to ensure that you have the latest issue level.