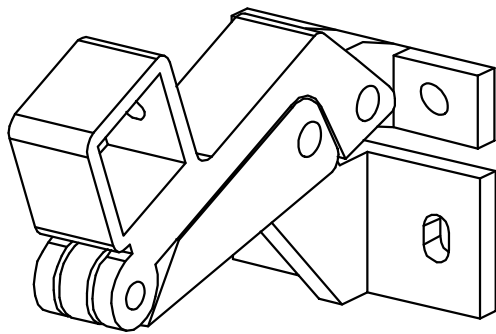


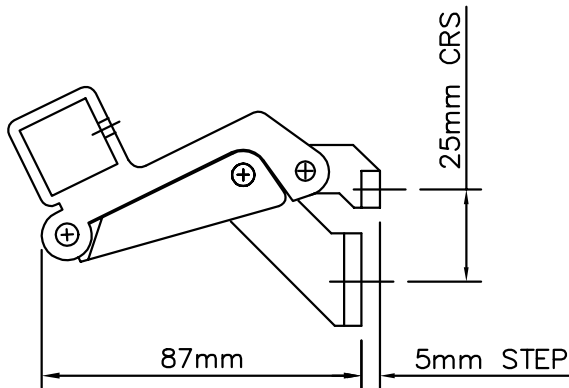
CALDWELL SPECIALIST HARDWARE		CASEMENT
18 SERIES FOLDING OPENER		



FOLDING OPENER

'18 SERIES' opener has a shorter throw of 100mm, it is also shorter in length, when in closed position. Therefore it has less protrusion into the building.

MATERIAL
Extruded Aluminium



COLOURS
The standard finishes available are:-
silver anodise AA15 - ANSAT
white powder coat - HIPCAWHITE

Refer to Quick Reference Matrix for folding opener references. DATASHT-00075.

Other finishes are available on request subject to quantity.

Product ref	Finish
18000	ANSAT

All of the information shown on this data sheet was correct at the time of issue. All information however is subject to change and therefore it is advisable to check with Caldwell Hardware to ensure that you have the latest issue level.