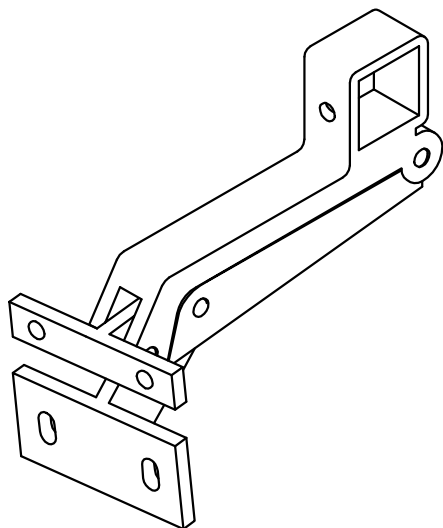


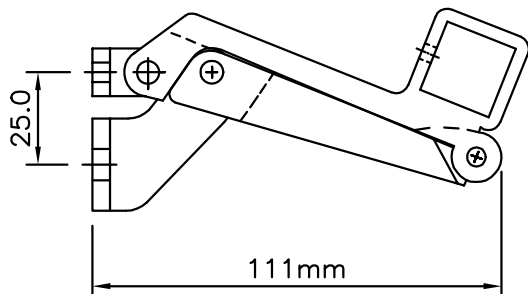
CALDWELL SPECIALIST HARDWARE		CASEMENT
11200 TYPE FOLDING OPENER		



FOLDING OPENER
 A high performance folding opener for a range of window types. Suitable for individual operation, or linked on wider window applications.

MATERIAL
 Extruded Aluminium to BS1474

COLOURS
 The standard finishes available are:-
 silver anodise AA15 - ANSAT
 white powder coat - HIPCAWHITE



Refer to Quick Reference Matrix for folding opener references. DATASHT-00075

These are typical examples of order references. Alternative finishes are available, contact Technical Dept.

Order code	Finish
11200ANSAT	SATIN ANODISED

Order code	Finish
11200HIPCAWHITE	WHITE P.C

All of the information shown on this data sheet was correct at the time of issue. All information however is subject to change and therefore it is advisable to check with Caldwell Hardware to ensure that you have the latest issue level.