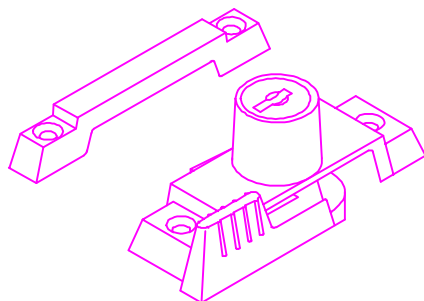


CALDWELL SPECIALIST HARDWARE

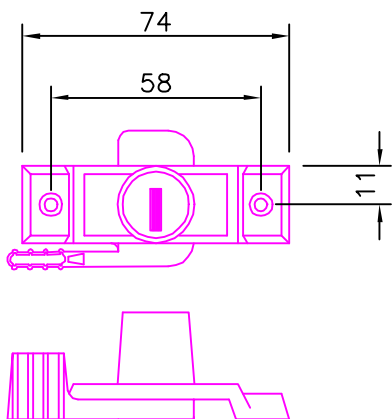
8537 LOCKING SASH LOCK

SLIDING SASH



**8537
SASH LOCK**
Wedge type lock
Key locking for added security.
1 key supplied per lock.

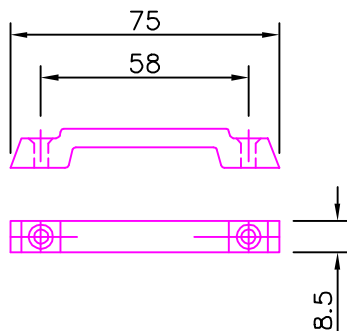
**7538
SASH LOCK**
Wedge type lock
Non locking.
(Not shown but similar)



MATERIAL
Lock: Zinc pressure die-casting.

**STANDARD KEEP
SUPPLIED SEPARATELY**

MATERIAL
Keep: Zinc pressure die-casting.



PART No. 7545

Other finishes are available on request
subject to quantity.

Order code	Finish
8537W	WHITE P.C.
8537B	BLACK P.C.
7538W	WHITE P.C.
7538B	BLACK P.C.
7545W	WHITE P.C.
7545B	BLACK P.C.

All of the information shown on this data sheet was correct at the time of issue.
All information however is subject to change and therefore it is advisable to check
with Caldwell Hardware to ensure that you have the latest issue level.