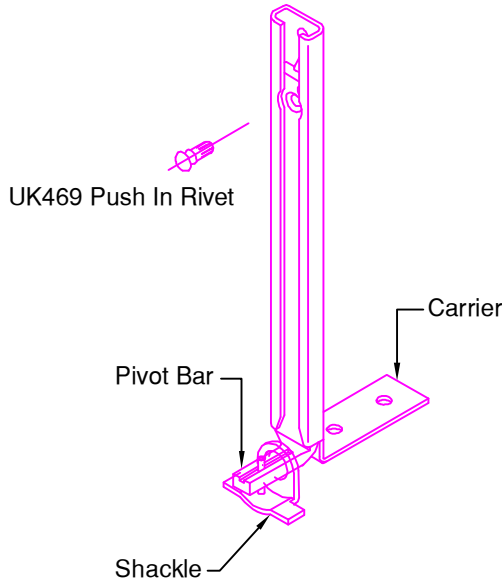


CALDWELL SPECIALIST HARDWARE

SLIDING SASH

SLIDE IN PIVOT BAR ASSEMBLY



SLIDE IN PIVOT BARS

Slide in Pivot bars allow the window to be manufactured with all the hardware fitted on to the outer frame and installed on site. Sashes are simply loaded into the frame and held in position by the black nylon push rivet. This also allows simple removal of the sash, for maintenance work. Even when close to the window reveal.

The shackle is an integral standard component, ensuring that the sash cannot be removed during the window operation. It also avoids the common problem of sash disengagement during transit.

Suitable for use with PVC-U, Timber and Aluminium sliding sash windows.

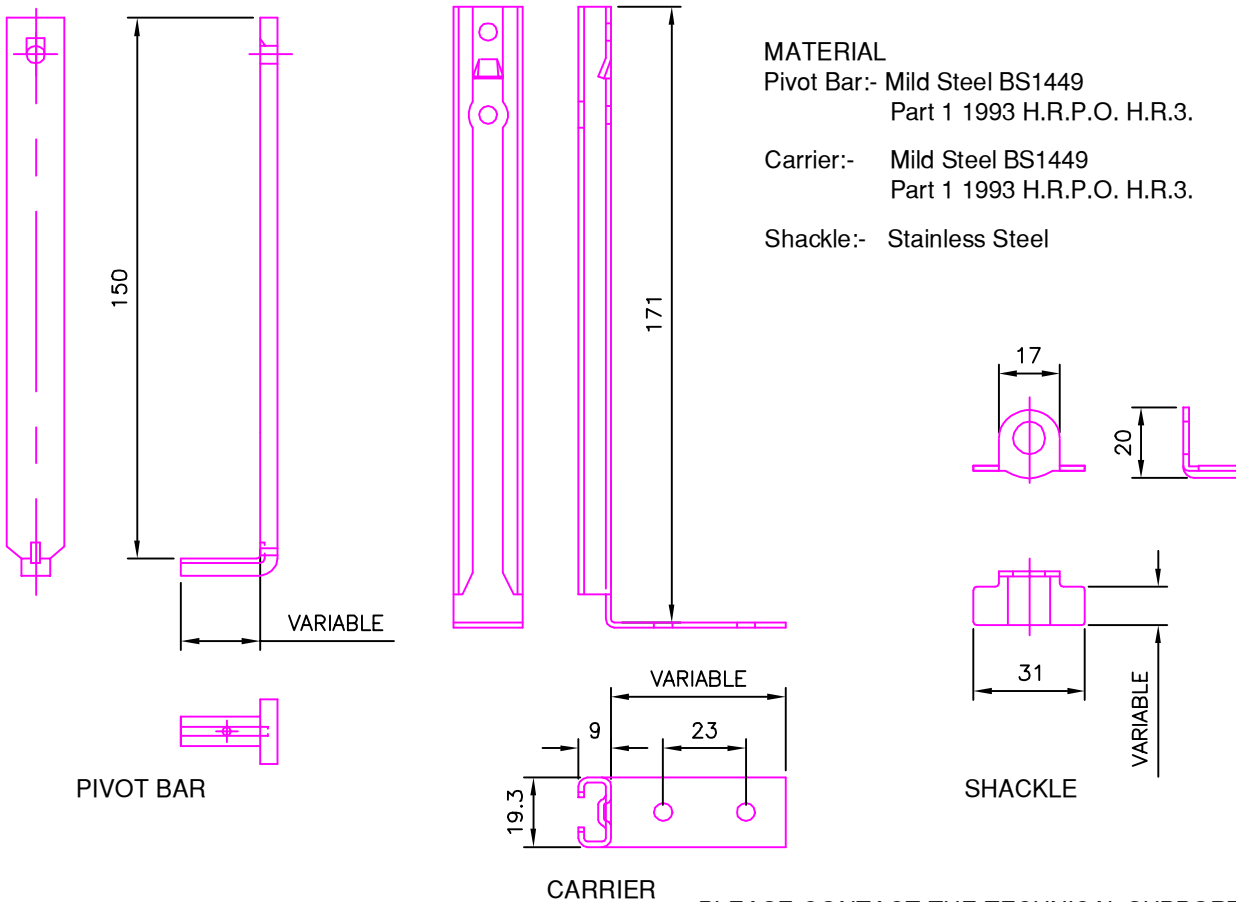
The slide in pivot bar has been tested to a sash weight of 35kg.

MATERIAL

Pivot Bar:- Mild Steel BS1449
Part 1 1993 H.R.P.O. H.R.3.

Carrier:- Mild Steel BS1449
Part 1 1993 H.R.P.O. H.R.3.

Shackle:- Stainless Steel



PLEASE CONTACT THE TECHNICAL SUPPORT DEPARTMENT FOR ORDERING INFORMATION

PROTECTED BY CALDWELL DESIGN COPYRITE 2000

All of the information shown on this data sheet was correct at the time of issue. All information however is subject to change and therefore it is advisable to check with Caldwell Hardware to ensure that you have the latest issue level.