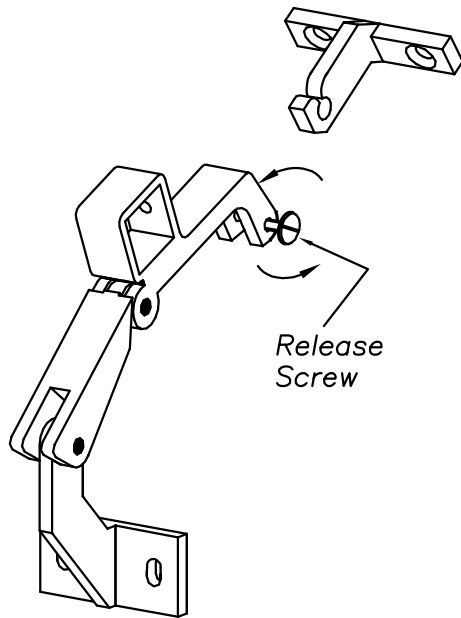
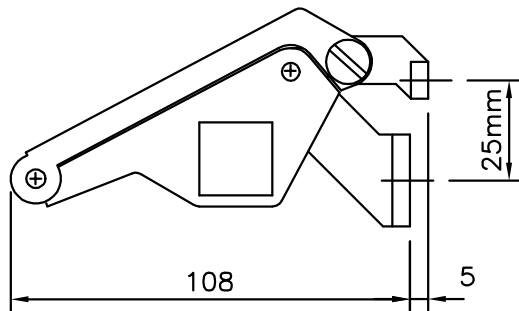


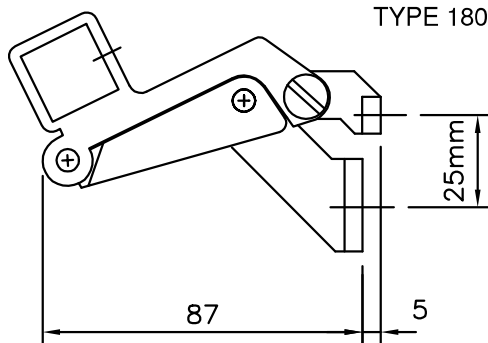
<b>CALDWELL SPECIALIST HARDWARE</b>	<b>CASEMENT</b>
<b>QUICK RELEASE FOLDING OPENER</b>	



TYPE 11105K



TYPE 18005K



**FOLDING OPENER**

A high performance folding opener with the addition of an innovative quick release screw. for a range of window types. Suitable for individual operation, or linked on wider window applications.

**MATERIAL**

Extruded Aluminium to BS1474

**COLOURS**

The standard finishes available are:-  
silver anodise AA15 - ANSAT  
white powder coat - HIPCAWHITE

Refer to Quick Reference Matrix for folding opener references. DATASHT-00075

These are typical examples of order references. Alternative finishes are available, contact Technical Dept.

Product ref	Finish
11105K	ANSAT
18005K	ANSAT

All of the information shown on this data sheet was correct at the time of issue. All information however is subject to change and therefore it is advisable to check with Caldwell Hardware to ensure that you have the latest issue level.