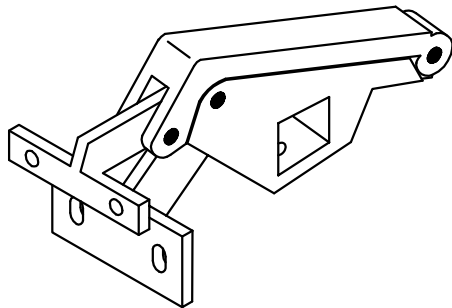


CALDWELL SPECIALIST HARDWARE		CASEMENT
110 TYPE FOLDING OPENER		

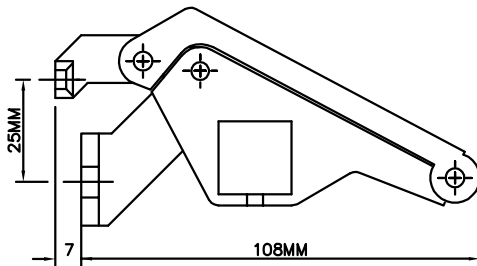


FOLDING OPENER

Ideal for pole operation.
Operating eye remains inside window line.
Can be used on 'Hopper' type window.

MATERIAL

Extruded Aluminium



COLOURS

The standard finishes available are:-
silver anodise AA15 - ANSAT
white powder coat - HIPCAWHITE

Refer to Quick Reference Matrix
for folding opener references. DATASHT-00075

These are typical examples of order references.
Alternative finishes are available, contact Technical Dept.

Order code	Finish
11000ANSAT	SATIN ANODISED
11105ANSAT	SATIN ANODISED
11107ANSAT	SATIN ANODISED
11111ANSAT	SATIN ANODISED
11116ANSAT	SATIN ANODISED

Order code	Finish
11000HIPCAWHITE	WHITE P.C.
11105HIPCAWHITE	WHITE P.C.
11107HIPCAWHITE	WHITE P.C.
11111HIPCAWHITE	WHITE P.C.
11116HIPCAWHITE	WHITE P.C.

All of the information shown on this data sheet was correct at the time of issue.
All information however is subject to change and therefore it is advisable to check
with Caldwell Hardware to ensure that you have the latest issue level.