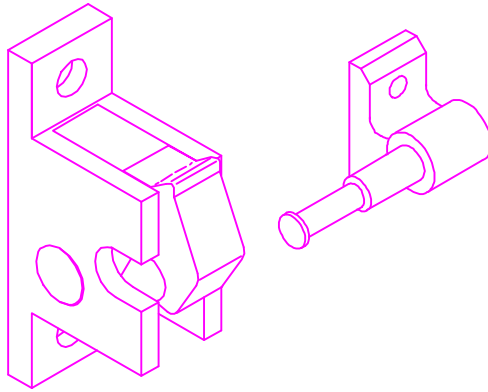


**CALDWELL SPECIALIST HARDWARE**

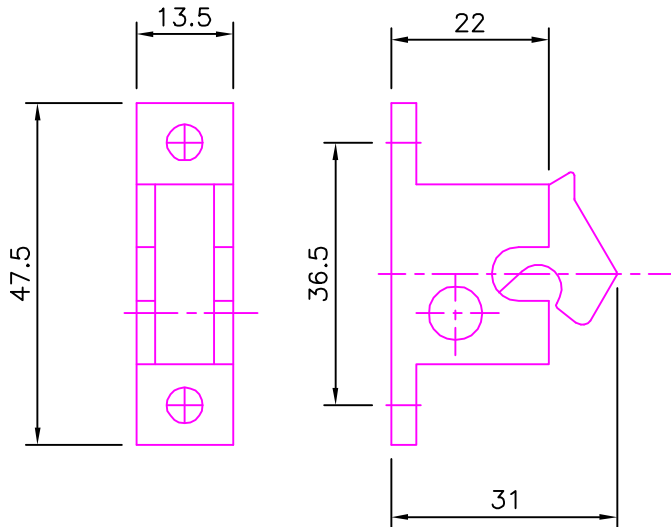
**PIVOT**

**910 REVERSE CATCH**

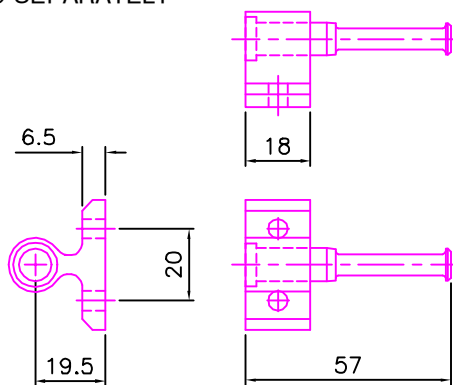


**910 REVERSE CATCH**  
Works with 902 Restrictor pin to engage automatically and securely in reversed cleaning position.

**MATERIAL**  
Housing:- Extruded aluminium to BS 1474  
Hook:- Extruded aluminium to BS 1474  
Rivet:- Stainless steel  
Spring:- Spring steel



**902 RESTRICTOR PIN  
SUPPLIED SEPARATELY**



**MATERIAL**  
Bracket:- Extruded aluminium to BS 1474  
Pin:- Zinc Plated Mild Steel.

Other finishes are available on request subject to quantity.

Order code	Finish
910ANSAT	SATIN ANODISED
910HIPCAWHITE	WHITE P.C.
902ANSAT	SATIN ANODISED
902HIPCAWHITE	WHITE P.C.

All of the information shown on this data sheet was correct at the time of issue. All information however is subject to change and therefore it is advisable to check with Caldwell Hardware to ensure that you have the latest issue level.