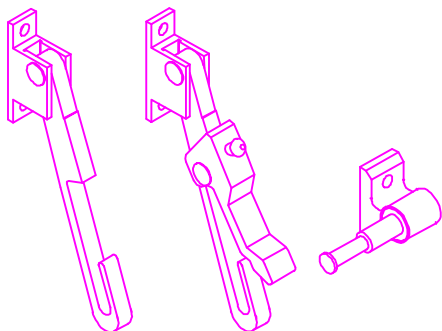


CALDWELL SPECIALIST HARDWARE

900 SERIES RESTRICTOR

CASEMENT



900 SERIES RESTRICTOR

Spring action aluminum extruded arm with positive re-engagement. Used in conjunction with steel pin housed in aluminium bracket and tested to meet 600N loads in accordance with BS6375 part 2.

900 RESTRICTOR ARM (Without Locking arm)

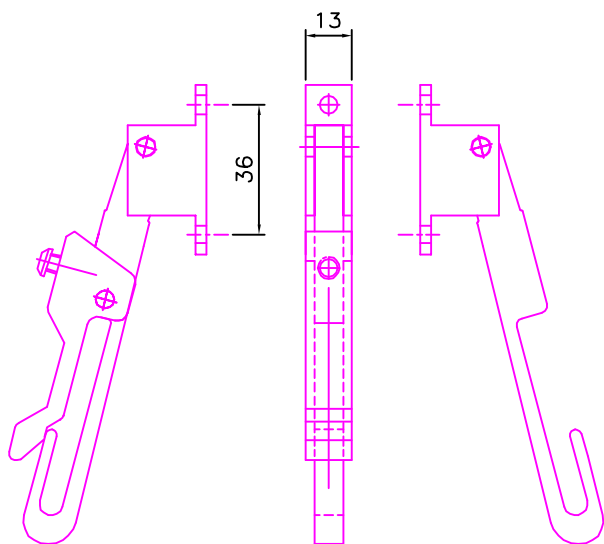
Non-Lockable. Spring operated, self engaging

901 RESTRICTOR ARM (With Locking arm)

Lockable, with Allen key. Also with security key option. Spring operated, self engaging.

MATERIAL

Bracket:- Extruded aluminum to BS1474.
Arm housing:- Extruded aluminum to BS1474.
Locking Arm:-Extruded aluminum to BS1474.
Locking screw and rivets: Stainless steel
Spring:- Spring steel



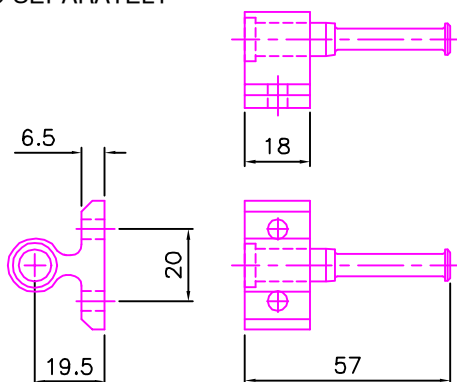
901 TYPE

900 TYPE

902 RESTRICTOR PIN SUPPLIED SEPARATELY

MATERIAL

Bracket: Extruded Aluminium to BS1474.
Pin: Zinc Plated Mild Steel



Other finishes are available on request subject to quantity.

Order code	Finish
900ANSAT	SATIN ANODISED
900HIPCAWHITE	WHITE P.C.
901ANSAT	SATIN ANODISED
901HIPCAWHITE	WHITE P.C.
902ANSAT	SATIN ANODISED
902HIPCAWHITE	WHITE P.C.

All of the information shown on this data sheet was correct at the time of issue. All information however is subject to change and therefore it is advisable to check with Caldwell Hardware to ensure that you have the latest issue level.