

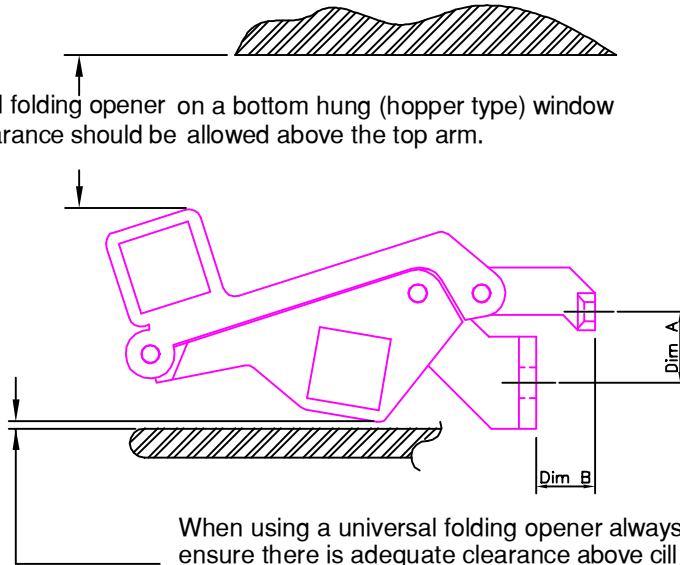
CALDWELL

SOLUTIONS THAT SET NEW STANDARDS

Telephone 024 7643 7900

Universal Folding Opener Quick Reference Matrix

When using the universal folding opener on a bottom hung (hopper type) window a minimum of 85mm clearance should be allowed above the top arm.



STYLE	DIM A	REF.	DIM B	REF.	DIM B	REF.	DIM B	REF.	DIM B	REF.	DIM B
101	20mm	10100U	FLUSH	10105U	5mm	10107U	7mm	10111U	11mm	10116U	16mm
112	25mm	11200U	FLUSH	11205U	5mm	11207U	7mm	11211U	11mm	11216U	16mm
113	15mm	11300U	FLUSH	11305U	5mm	11307U	7mm	11311U	11mm	11316U	16mm
116	25mm	11600U	FLUSH								
116	20mm			11605U	5mm	11607U	7mm	11611U	11mm	11616U	16mm
117	35mm	11700U	FLUSH								
117	32mm			11705U	5mm	11707U	7mm	11711U	11mm	11716U	16mm
130	45mm	13000U	FLUSH								
130	38mm			13005U	5mm	13007U	7mm	13011U	11mm	13016U	16mm
191	53mm	19100U	FLUSH								
191	48mm			19105U	5mm	19107U	7mm	19111U	11mm	19116U	16mm
Internal Glaze	16mm	112IGU	13mm								
Internal Glaze	9mm	113IGU	13mm								

Universal folding openers are not available in locking or fold aside form. They are however available in releasable form. The above range covers all 110 & 112 style folding openers which are available (114 & 118 styles are not available).

In order to specify a universal folding opener the 112 style reference should be specified with a U suffix.

To specify :- 110/111 type use 112 131 type use 130
115 type use 116 190 type use 191

All of the information shown on this data sheet was correct at the time of issue. All information however is subject to change and therefore it is advisable to check with Caldwell Hardware to ensure that you have the latest issue level.