

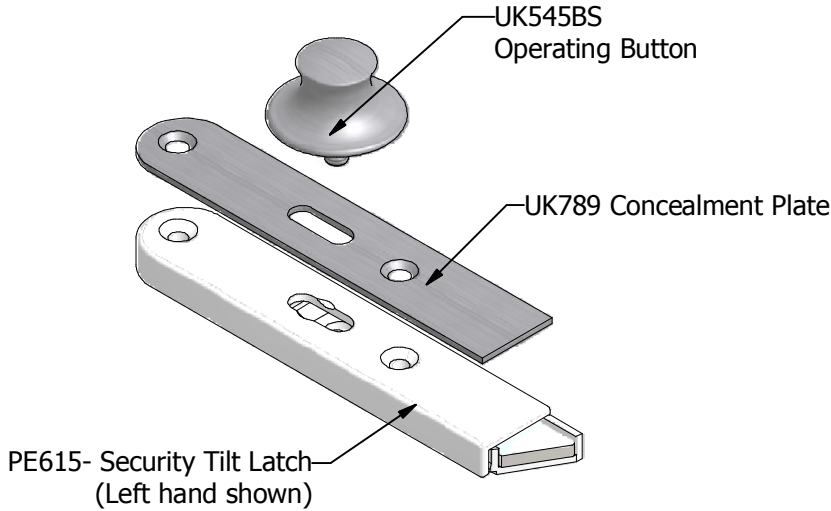
CALDWELL

SOLUTIONS THAT SET NEW STANDARDS

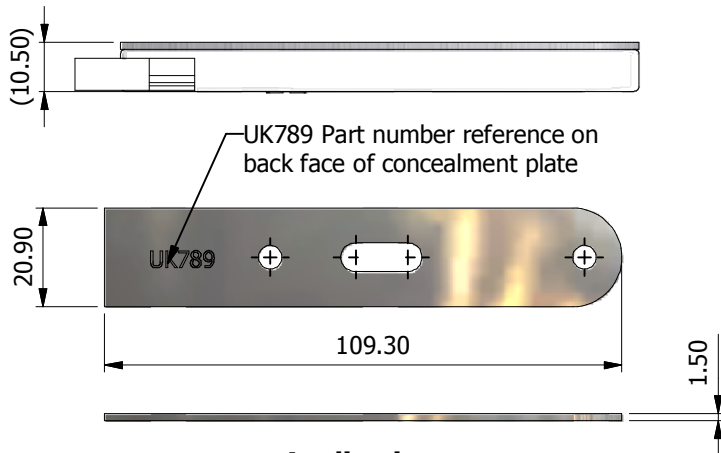
Telephone 024 7643 7900

Tilt latch Concealment Plates

Typical Assembly Example



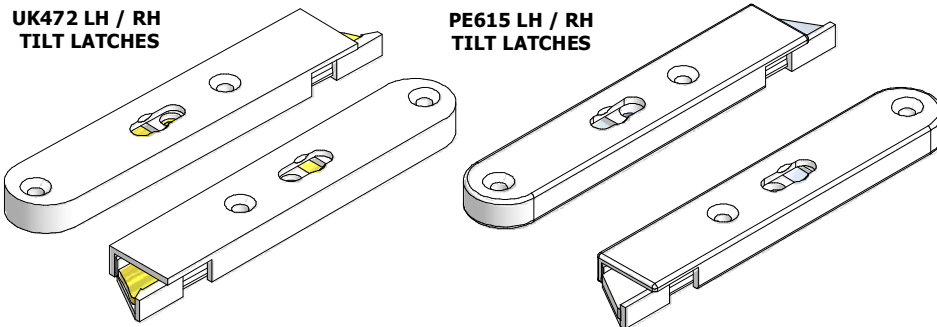
Dimensional References



Applications

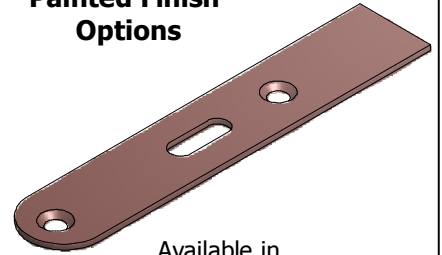
UK472 LH / RH
TILT LATCHES

PE615 LH / RH
TILT LATCHES

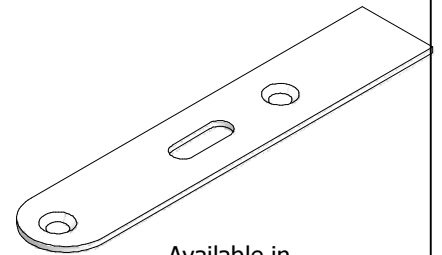


Designed to fit UK472 LH & RH Tilt Latches and PE615 LH & RH Security Tilt Latches

Painted Finish Options



Available in
UK789B - Brown Powder Coat Finish



Available in
UK789HIPCAWHITE - White Powder Coat Finish

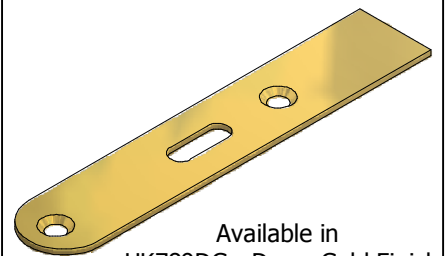
Plated Finish Options



Available in
UK789BS - Brushed Stainless Finish



Available in
UK789CH - Chrome Finish



Available in
UK789DG - Dawn Gold Finish

All of the information shown on this data sheet was correct at the time of issue. All information however is subject to change and therefore it is advisable to check with Caldwell Hardware to ensure that you have the latest issue level.